

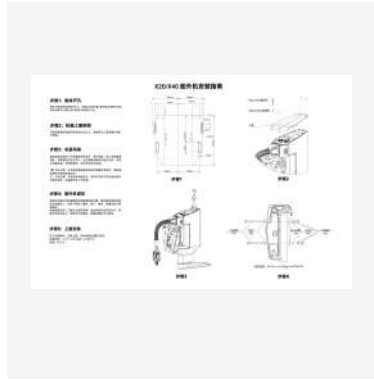
# What's in the Box



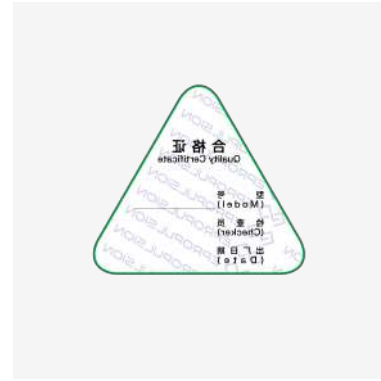
X40 Electric  
Outboard Motor



X40 User Manual



X40 Outboard  
Installation Guide



Product Certificate



Invitation Card



Bus Box



X40 Propeller Tail  
Fairing



X40 Thrust Washer



Hexagon Slotted  
Copper Nut (M20)



Cotter Pin (Φ4x25)  
x 2



Lock Washer (M22)  
x 2



Hex Socket Screw  
(M4) x 10



Hexagon Bolt  
(M12x1.25x110) x 4



Hexagon Nut  
(M12x1.25) x 8



Plain Washers-  
Extra Large Series  
(M12x44x4) x 4



Plain Washers  
(M12x24x2.5) x 8



Eye Bolt (M10) x 2



Plain Washers  
(M10x20x2) x 2



ESSA  
Communication  
Extension Cable 10m



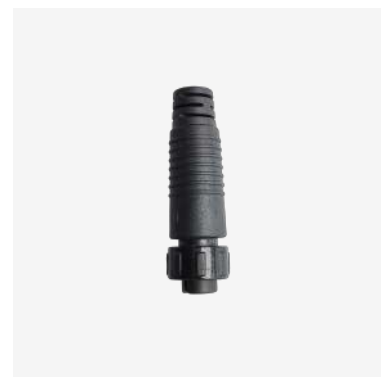
ESSA  
Communication  
Cable 1m



ESSA  
Communication 5-  
way T Connector



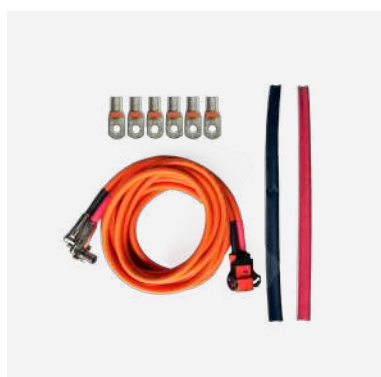
ESSA  
Communication 3-  
way T Connector X 2



ESSA  
Communication  
Terminator 120Ω



ESSA  
Communication  
Terminator 360Ω



G Battery Output  
Cable kit 5m  
(Positive & Negative)  
x 2



12V Fuse Accessories  
Kit